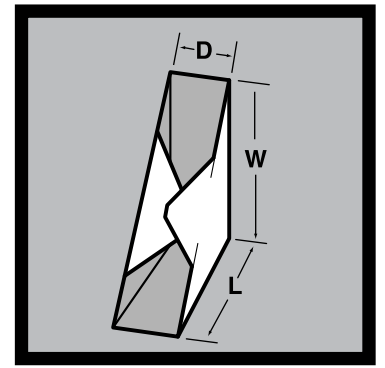


CUSHION CORNER PAD

CORRUGATED (DIE-CUT) CORNER PADS

125# TEST #3 WHITE OUTSIDE

Furnished flat — No tape, glue or staples necessary — Assemble in seconds — Used for corner protection for furniture, cabinets, windows, doors, pictures, etc. — All dimensions are inside dimensions.

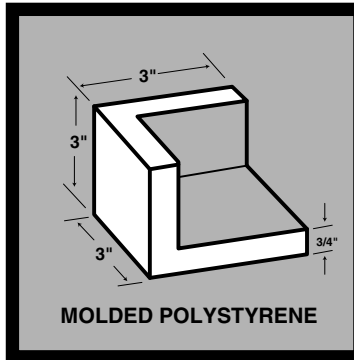


TRIANGULAR PAD

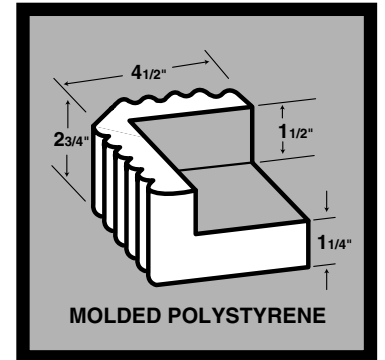
Stock No.	Inside Dimensions L x W x D	AMALGAMATION PERMITTED TO OBTAIN QUANTITY PRICES							
		Wt. Per Each	No. Per Bundle	No. Per Pallet	Less Than 100	PRICE PER EACH IN QUANTITIES OF			
						100	250	500	1000
CB1	3 x 3 x 3 (Cushion Corner Pad)	.086	50	3500	.58	.523	.486	.452	.415
CB2	4 x 4 x 1 (Triangle Corner Pad)	.030	50	8750	.53	.435	.391	.352	.307
CB3	5 x 5 x 1 1/2 (Triangle Corner Pad)	.048	50	6000	.53	.470	.430	.393	.355
CB4	5 x 5 x 5 (Cushion Corner Pad)	.218	50	1000	1.02	.906	.829	.756	.724
CB6	7 x 7 x 2 (Triangle Corner Pad)	.089	50	3000	.73	.660	.604	.531	.501

FOAM CORNER BLOCKS

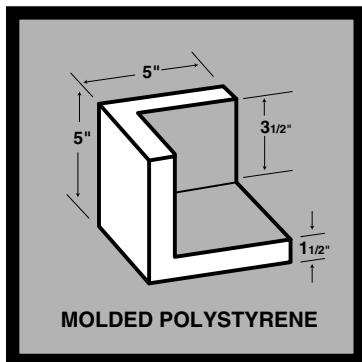
Packaged in corrugated cartons — No set-up necessary — Used for corner protection when cushioning is required.



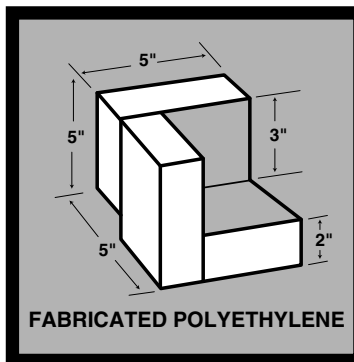
FCB1



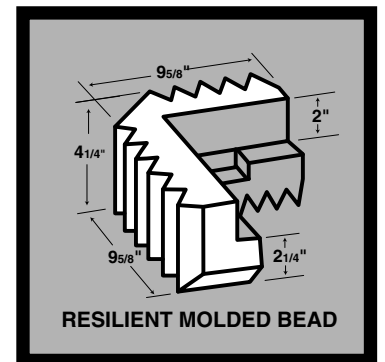
FCB2



FCB3

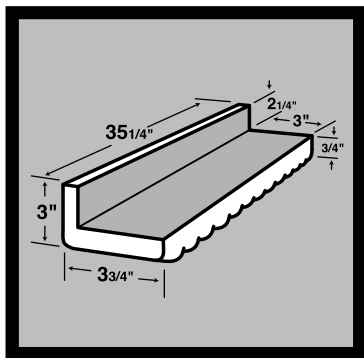


FCB5



FCB6

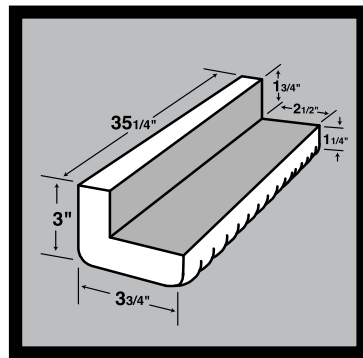
Stock No.	Inside Dimensions L x W x D	No. Per Carton	Wt. Per Carton	1 Carton	NO AMALGAMATION PERMITTED SOLD IN FULL CARTONS ONLY PRICE PER CARTON IN QUANTITIES OF				
					2-4 Cartons	5-9 Cartons	10-14 Cartons	15+ Cartons	
FCB1	2 1/4 x 2 1/4 x 2 1/4 (3/4" Wall Thickness)	1060	21	151.00	147.30	139.30	134.90	125.80	Per Ctn.
FCB5	3 x 3 x 3 (2" Wall Thickness)	168	21	171.00	162.60	152.10	142.80	135.30	Per Ctn.
FCB2	3 1/4 x 3 1/4 x 1 1/2 (1 1/4" Wall Thickness)	672	30	180.00	172.20	168.00	164.00	154.70	Per Ctn.
FCB3	3 1/2 x 3 1/2 x 3 1/2 (1 1/2" Wall Thickness)	168	13	86.00	75.70	65.70	57.10	53.20	Per Ctn.
FCB6	7 3/8 x 7 3/8 x 2 (2 1/4" Wall Thickness)	80	18	223.00	211.50	208.30	205.00	200.00	Per Ctn.



FEP20

MOLDED POLYSTYRENE EDGE PROTECTORS

*Packaged in corrugated cartons —
No set-up necessary — used for edge protection
when cushioning is required.*



FEP21

**NO AMALGAMATION PERMITTED
SOLD IN FULL CARTONS ONLY
PRICE PER CARTON IN QUANTITIES OF**

Stock No.	Inside Dimensions L x W x D	No. Per Carton	Wt. Per Carton	1 Carton	PRICE PER CARTON IN QUANTITIES OF				
					2-4 Cartons	5-9 Cartons	10-14 Cartons	15+ Cartons	
FEP21	35 1/4 x 2 1/2 x 1 3/4 (1 1/4" Wall Thickness)	100	25	146.00	140.40	133.50	127.20	125.40	Per Ctn.
FEP20	35 1/4 x 3 x 2 1/4 (3/4" Wall Thickness)	100	16	125.00	117.60	112.00	106.30	101.50	Per Ctn.