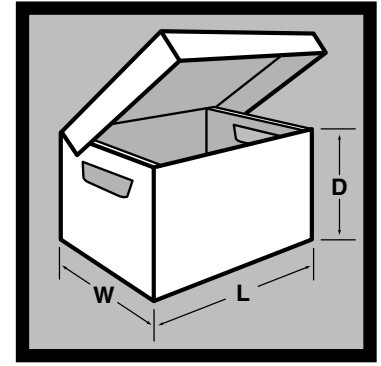


CF1, RF1, RF2, RRF2, RF3

CORRUGATED (DIE-CUT) SELF-LOCKING RECORD FILE BOXES WITH LID

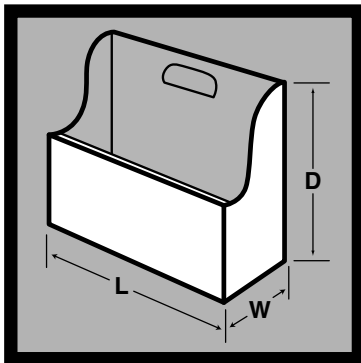
- RF boxes are all manufactured from #3 WHITE, 200# TEST material
- RRF boxes are all manufactured from BROWN, 32 ECT material

All have completely self-locking body and cover — Furnished flat — All dimensions are inside dimensions.



RF4, RRF4, RF5, RF6

Stock No.	Inside Dimensions L x W x D		AMALGAMATION PERMITTED TO OBTAIN QUANTITY PRICES							
			Wt. Per Each	No. Per Bundle	No. Per Pallet	Less Than 100	PRICE PER EACH IN QUANTITIES OF			
							100	250	500	1000
RF6	15 x 9 ³ / ₄ x 12 ¹ / ₄	with Lid (Double Bottom and Triple Ends) (Accommodates Side Cut File Folders)	1.425	25	350	4.98	4.347	3.718	3.367	2.955
CF1	15 x 10 ¹ / ₂ x 4 ¹ / ₂	with Lid (Check File Box)	.817	25	700	2.29	2.067	1.877	1.705	1.555
RF1	15 x 12 x 10	with Lid (Snap Lock Bottom with Double Sides and Double Ends) Plain Pad	1.600	25	700	5.17	4.550	3.920	3.526	3.115
RP16	14 x 12		.128	50	3000	.91	.728	.405	.312	.251
RRF2	15 x 12 x 10	With Lid (Double Bottom and Double Ends)	1.411	25	700	4.99	4.366	3.755	3.401	3.001
RF2	15 x 12 x 10	with Lid (Double Bottom and Double Ends)	1.600	25	700	5.19	4.573	3.977	3.564	3.212
RF3	15 x 12 x 10	with Lid (Woodgrain with Triple Ends, Double Sides and Double Bottom)	1.700	25	350	7.91	7.170	6.844	6.422	6.171
RRF4	15 ¹ / ₄ x 12 ¹ / ₄ x 10	With Lid Attached (Double Bottom and Triple Ends)	1.344	25	350	4.79	4.205	3.425	3.211	2.885
RF4	15 ¹ / ₄ x 12 ¹ / ₄ x 10	with Lid attached (Double Bottom and Triple Ends)	1.486	25	350	5.01	4.430	3.817	3.401	2.972
RF5	24 ¹ / ₂ x 15 ¹ / ₄ x 10	with Lid attached (Double Bottom and Triple Ends)	2.316	10	360	6.17	5.630	5.136	4.649	4.337



CORRUGATED (DIE-CUT) ONE-PIECE SELF-LOCKING FILE AID WITH HAND HOLE

32 ECT #3 WHITE OUTSIDE

Furnished flat — No tape, glue or staples necessary — Assemble in seconds — Used for filing or storing records — Not to be used as a shipper — All dimensions are outside dimensions.

Stock No.	Outside Dimensions L x W x D	AMALGAMATION PERMITTED TO OBTAIN QUANTITY PRICES							
		Wt. Per Each	No. Per Bundle	No. Per Pallet	Less Than 100	PRICE PER EACH IN QUANTITIES OF			
						100	250	500	1000
FA1	12 x 5 x 9 ⁷ / ₈	.344	25	700	2.15	1.944	1.752	1.577	1.450

